

DAY MARKING <132kV

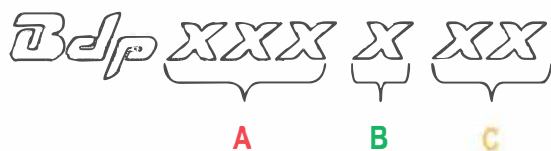
Used to signal electrical lines, marking BDP installs on ground wires and cables in the phase voltage below 132kV.

Available in two sizes: Ø 610mm and Ø500mm, and three colors red, orange and white.

It is possible to combine ½ spheres of different colors.

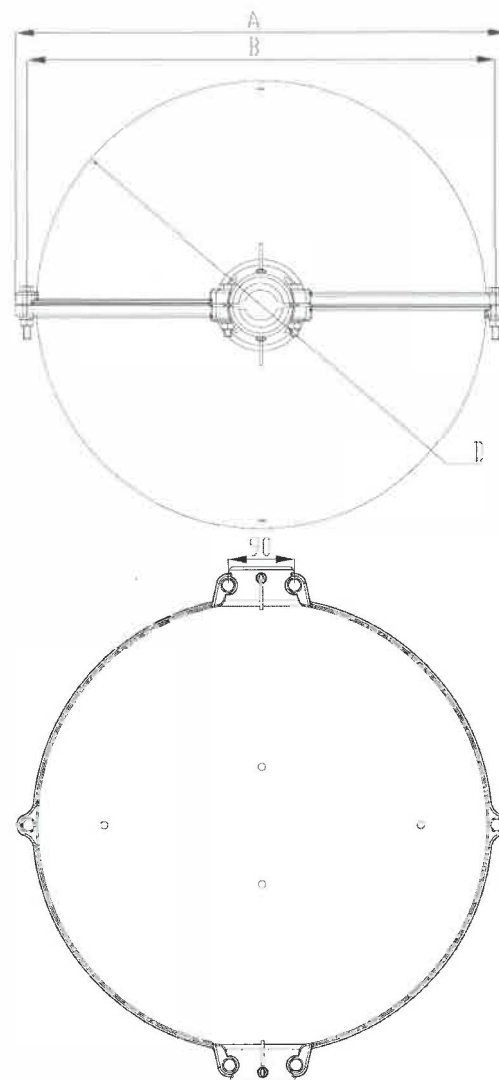
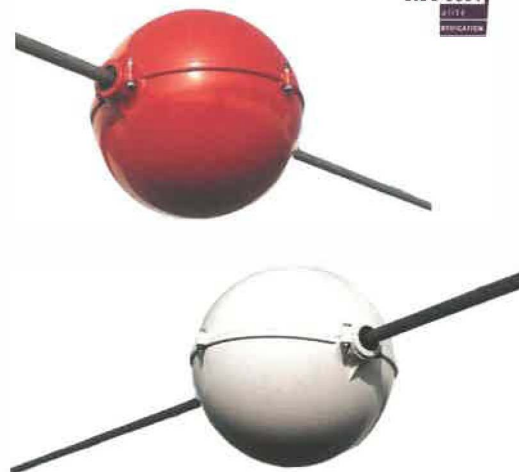
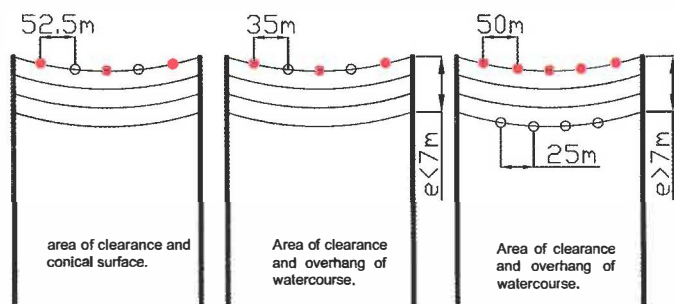
See the drawing for tags.

Material	UV resistant plastic and colored throughout
Colors	Red, orange, white
Fixing	6 M10 bolts galvanized steel (stainless steel on request)
Clamps	Two EPDM elastomer clamps
Characteristics	Holes for evacuation of water
Size	See Figure
Weight	See Figure



- A :** Diameter of the sphere: 500 or 610mm.
- B :** Color: orange O, red R, white B.
- C :** Diameter of conductor.

Reference	Diameter of the sphere	Color	Diameter of conductor mm
BDP	Ø 500 mm	R rouge	01= 06,5-12,5
			02= 12,5-18,5
			03= 18,5-24,5
			04= 24,5-30,5
	Ø 610 mm	B white	05= 30,5-36,5
			06= 36,5-42,5
			07= 42,5-48,5
			08= 48,5-54,5



Reference	A	B	D	Masse
BDP500 xxx	557	525	500	3,8Kg
BDP610 xxx	666	635	610	5,0Kg